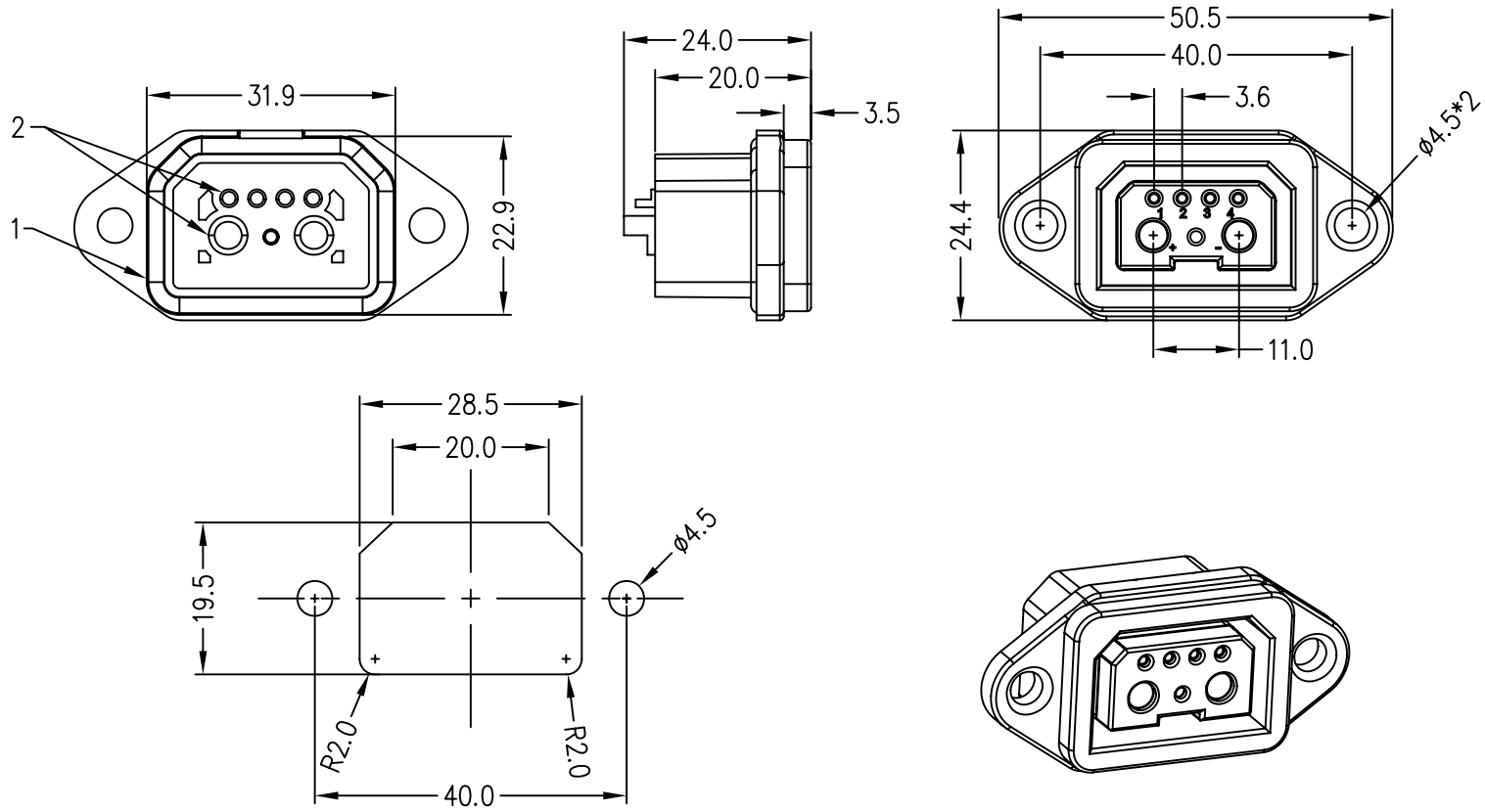


ROHS

REV.	ECR	REVISION RECORD	ECN NO.	DRAW	DATE
A		NEW		VINEE	19/08/8



- 1.MATERIAL:
 BODY:THERMOPLASTIC,UL94V-0.
 CONTACT:COPPER ALLOY.
- 2.SPECIFICATIONS:
 2.1 RATED CURRENT: POWER 30 AMP, SIGNAL 5AMP.
 2.2 RATED VOLTAGE:500V DC.
 2.3 OPERATING TEMPERATURE:-20° C~+85°C.
 2.4 IP54
- 3.ALL MATERIALS SHALL BE CERTIFIED COMPLIANT TO THE LATEST RoHS DIRECTIVE.

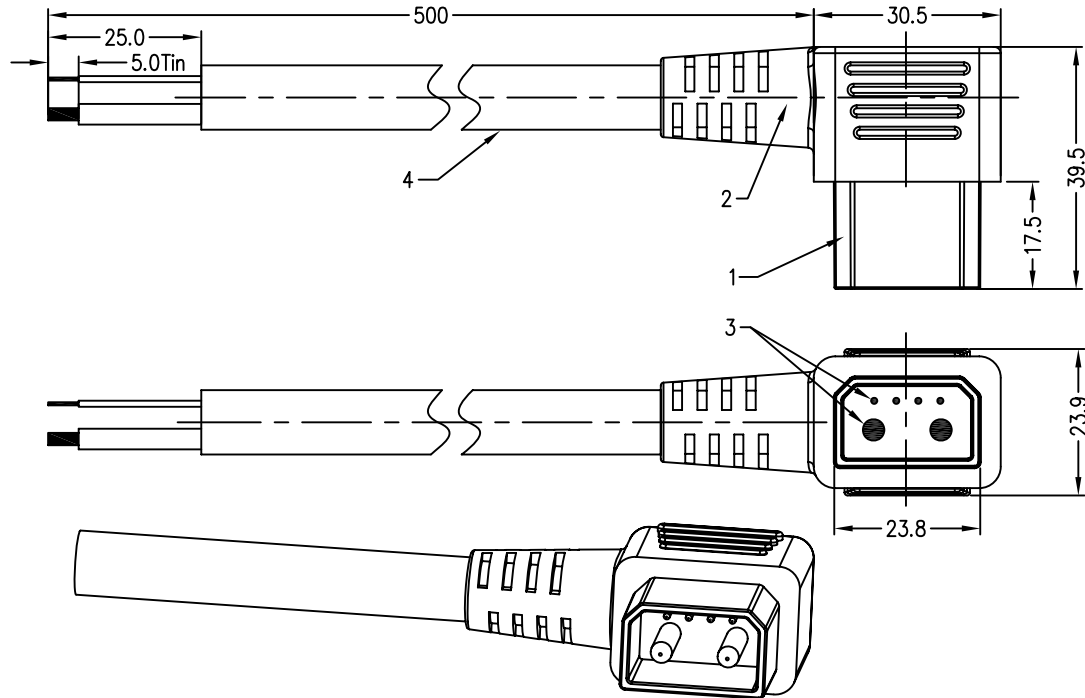
③	TERMINAL-B	SIGNAL CONTACT FEMALE	4 pcs	
②	TERMINAL-A	POWER CONTACT FEMALE FOR $\phi 3.6$ PIN MATED	2 pcs	
①	BODY	PA66/GF30 PLASTIC BODY	N/A	
UNITS:	SCALE:	SHEET NO.	Shenzhen Ximeconn Technology Co., Ltd	
mm	1:1	1 of 1		
GENERAL TOLERANCES (UNLESS SPECIFIED)	X.XXX \pm 0.1	REV:		A0
	X.XX \pm 0.5	DRAWN BY		Vinee
	X.X \pm 0.6	DATE	18/05/29	
ANGULAR \pm 3°	CHECKED BY	DATE	2+4 BATTERY PANEL CONNECTOR	
	APPROVED BY	DATE	PART NO.	
	Ben	19/05/29	PF02004-HS	
			DOCUMENT NO.	
			C XM-WI-RD002	
			SIZE	
			A4	



These drawing and specification are the property of Shenzhen Xime Connector Technology Co., Ltd. And shall not be reproduced copied or used in any manner without the prior written Consent of ours. Company website:www.ximeconn.com

ROHS

REV.	ECR	REVISION RECORD	ECN NO.	DRAW	DATE
A		NEW		VINEE	19/08/8



ITEM	QTY	PART NUMBER	DESCRIPTION	NOTE
4	A/R	-	2C 4MM±4C 0.3MM ² JACKET BLACK	
3	2+4	-	POWER/SIGNAL CONTACT	
2	1	-	MOLDING BODY	
1	1	-	PLASTIC BODY	

1. MATERIAL:

BODY: THERMOPLASTIC, UL94V-0.
CONTACT: COPPER ALLOY.

2. SPECIFICATIONS:

- 2.1 RATED CURRENT: POWER 30 AMP, SIGNAL 5AMP.
- 2.2 RATED VOLTAGE: 500V DC.
- 2.3 OPERATING TEMPERATURE: -20°C ~ +85°C.
- 2.4 IP54

3. ALL MATERIALS SHALL BE CERTIFIED COMPLIANT TO THE LATEST RoHS DIRECTIVE.

UNITS:	SCALE:	SHEET NO.	Shenzhen Ximeconn Technology Co., Ltd		
mm	1:1	1 of 1			
GENERAL TOLERANCES (UNLESS SPECIFIED)	X.XXX±0.1	REV:	2+4 BATTERY CABLE CONNECTOR		
	X.XX±0.5	A0			
	X.X±0.6	DRAWN BY DATE			
	ANGULAR±3°	Vinee 18/05/29			
		CHECKED BY DATE	PART NO. DOCUMENT NO. SIZE		
		/ /			
		APPROVED BY DATE	PM02004-HS C XM-WI-RD002 A4		
		Ben 19/05/29			



These drawing and specification are the property of Shenzhen Xime Connector Technology Co., Ltd. And shall not be reproduced copied or used in any manner without the prior written Consent of ours. Company website: www.ximeconn.com