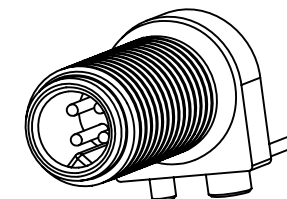
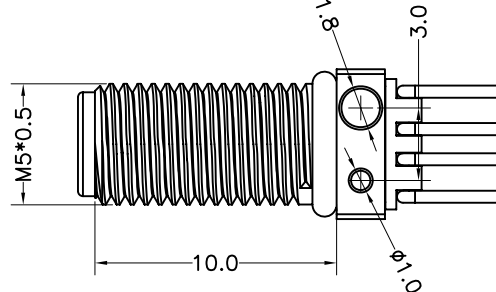
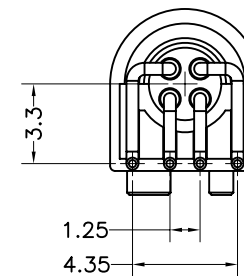
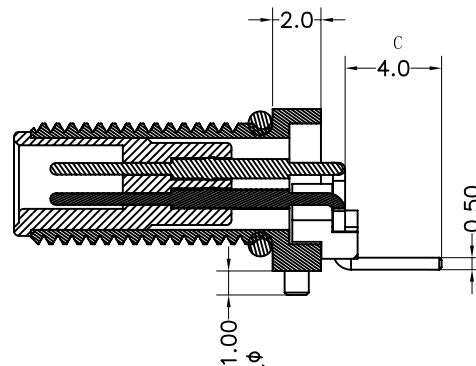
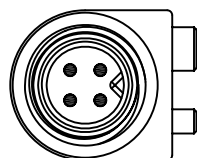
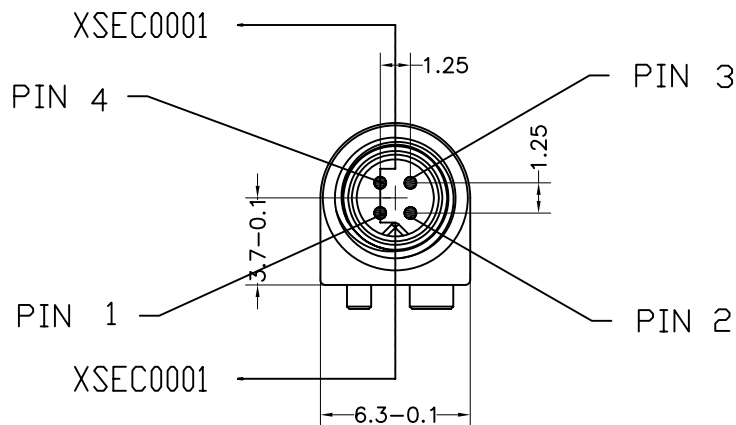


ROHS

REV.	ECR	REVISION RECORD	ECN NO.	DRAW	DATE
A		NEW		VINEE	20/07/20
B		CHANGE MATERIAL PA66		VINEE	20/07/27
C		UPDATED 4.0 DIM		VINEE	20/08/1



NOTE:

MATERIAL
 HOUSING: PA66 UL94V-0, BLACK
 CONTACT: BRASS
 NUT: BRASS
 O-RING: NBR, BLACK
 BACK HOUSING: PA66 UL94V-0, BLACK

FINISH

CONTACT: GOLD PLATED
 UNDER PLATE: NICKEL
 NUT: NICKEL

ELECTRICAL:

RATED CURRENT: 1A
 RATED VOLTAGE: 60V
 INSULATION RESISTANCE: 100 MΩhms MIN.
 CONTACT RESISTANCE: 10 mΩhms MAX.
 WATER PROOF: IP67

ENVIRONMENT:

OPERATION TEMPERATURE: -40°C TO +85°C

UNITS:	SCALE:	SHEET NO.	Shenzhen XimeConn Technology Co., Ltd		
mm	1:1	1 of 1			
GENERAL TOLERANCES (UNLESS SPECIFIED)	X.XXX±0.3	REV:	M5 connector 4pin male pulg		
	X.XX±0.5	A0			
	X.X±0.8	DRAWN BY	DATE	PART NO. M504MSMT001	
	ANGULAR±3°	Vinee	20/07/20		
THIRD ANGLE PROJECTION		CHECKED BY	DATE	C	
		APPROVED BY	DATE	C	
		Ben	20/07/20		

These drawing and specification are the property of Shenzhen Xime Connector Technology Co., Ltd. And shall not be reproduced copied or used in any manner without the prior written Consent of ours. Company website:www.ximeconn.com