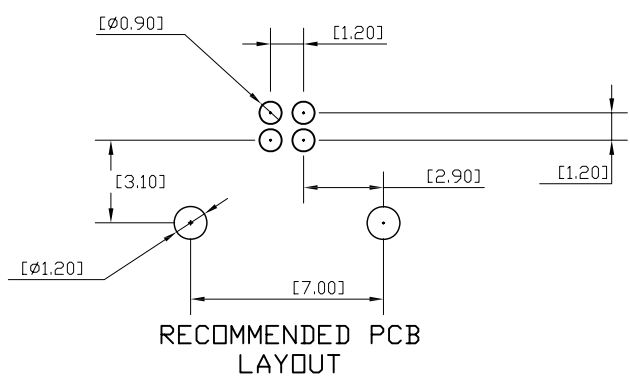
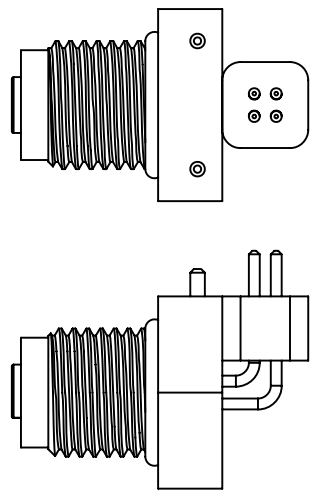
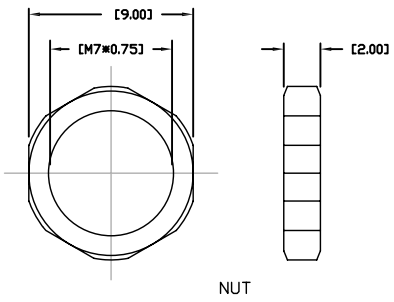
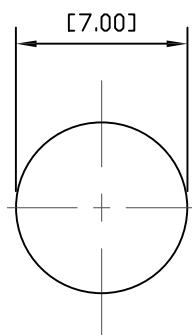
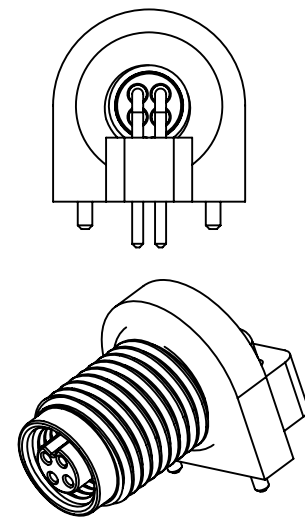
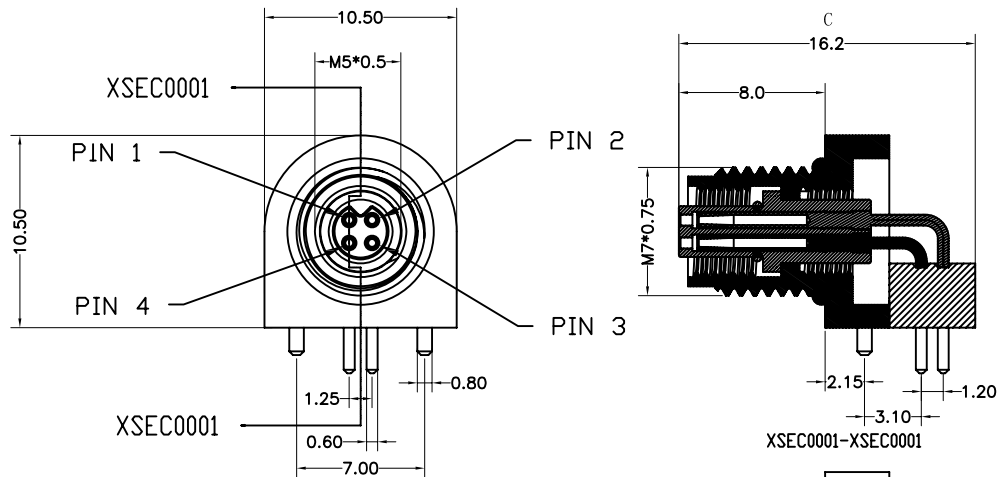


ROHS

REV.	ECR	REVISION RECORD	ECN NO.	DRAW	DATE
A		NEW		VINEE	20/07/20
B		CHANGE MATERIAL PA66		VINEE	20/07/27
C		UPDATED 16.9 TO 16.2 DIM		VINEE	20/08/1



**NOTE:**

**MATERIAL**

HOUSING: PA66 UL94V-0, BLACK

CONTACT: BRASS

NUT: BRASS

O-RING: NBR, BLACK

BACK HOUSING: PA66 UL94V-0, BLACK

**FINISH**

CONTACT: GOLD PLATED

UNDER PLATE: NICKEL

NUT: NICKEL

**ELECTRICAL:**

RATED CURRENT: 1A

RATED VOLTAGE: 60V

INSULATION RESISTANCE: 100 MΩhms MIN.

CONTACT RESISTANCE: 10 mΩhms MAX.

WATER PROOF: IP67

**ENVIRONMENT:**

OPERATION TEMPERATURE: -40°C TO +85°C

UNITS:	SCALE:	SHEET NO.	Shenzhen XimeConn Technology Co., Ltd		
mm	1:1	1 of 1			
GENERAL TOLERANCES (UNLESS SPECIFIED)	X.XXX±0.3	REV:	M5 connector 4pin female DIP		
	X.XX±0.5	A0			
	X.X±0.8	DRAWN BY	DATE	PART NO. M504FDIP001	
	ANGULAR±3°	Vinee	20/07/20		
THIRD ANGLE PROJECTION		CHECKED BY	DATE	C	
		APPROVED BY	DATE		
		Ben	20/07/20		

These drawing and specification are the property of Shenzhen Xime Connector Technology Co., Ltd. And shall not be reproduced copied or used in any manner without the prior written Consent of ours. Company website: www.ximeconn.com