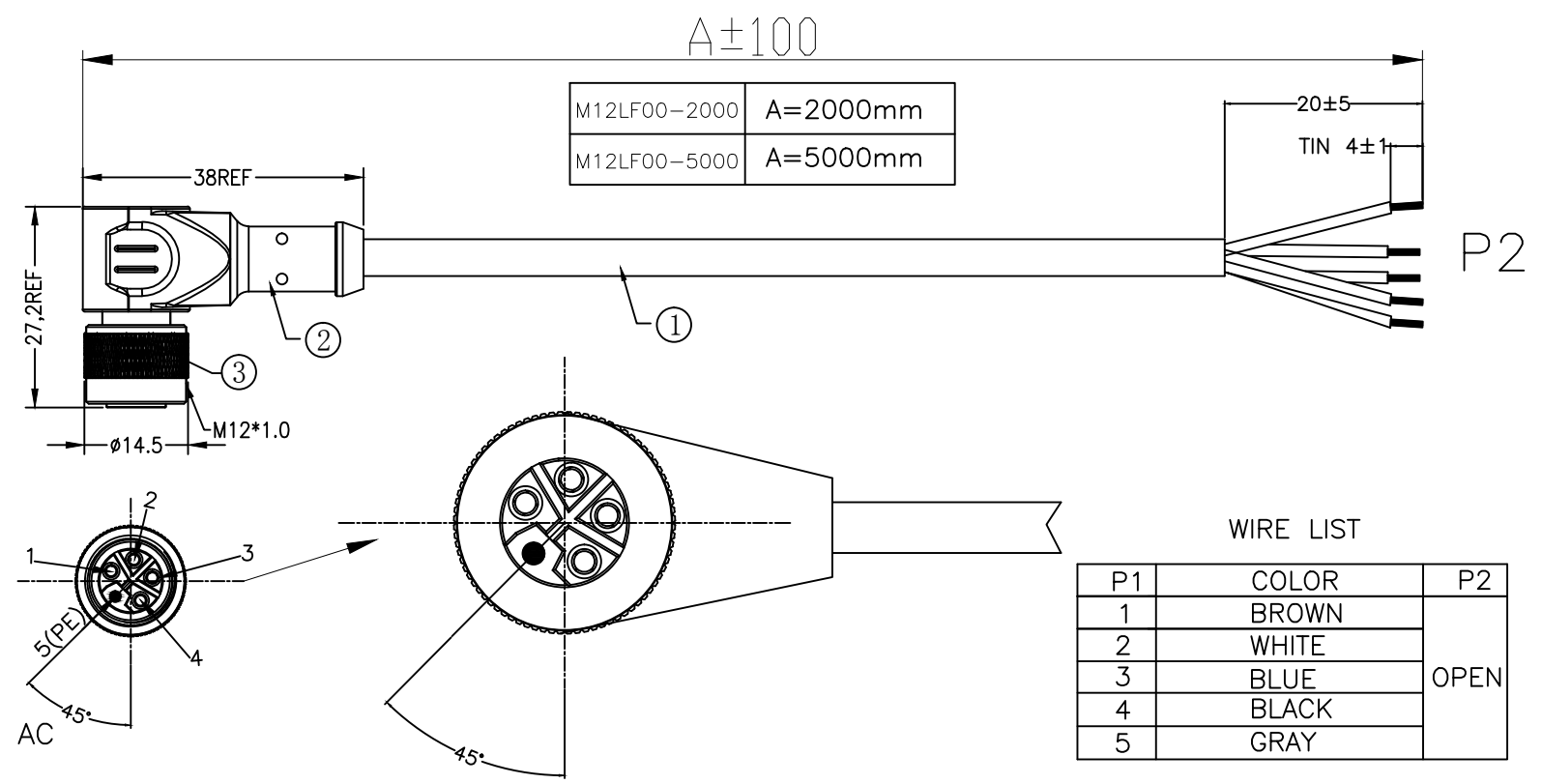


ROHS

REV.	ECR	REVISION RECORD	ECN NO.	DRAW	DATE
A		NEW		VINEE	20/05/22



Electrical(connector)  
 Rating voltage: 60V AC  
 Rating current : 12A  
 Contact resistance : ≤5mΩ  
 Degree of protection: IP67  
 Operating temperature: -40° ~ +85°

Specification  
 TESTING CONDITIONS:  
 1. VOLTAGE:300V DC/0.1S.  
 2. INSULATION RESISTANCE: 10 Mohms min.  
 3. CONDUCTIVE RESISTANCE:  
 2M, ≤70mΩ 5M, ≤32mΩ  
 4.100% OPEN AND SHORT ELECTRICAL TEST.  
 ALL MATERIALS ARE RoHS COMPLIANT.

③	MALE CONECTOR	M12 L CODING 5CT FEMALE CONNECTOR	1 set
②	MOLDING	THERMOPLASTIC POLYURETHANE, BLACK	10g
①	CABLE	HIGHT FLEX CLASS 6 CABLE INTERNAL COPPER WIRE PVC JACKET 16AWG*5C	N/A
ITEM	PART NAME	DESCRIPTION	QTY

UNITS:	SCALE:	SHEET NO:	Shenzhen Xime Connector Technology Co., Ltd		
mm	1 : 1	1 of 1			
GENERAL TOLERANCES (UNLESS SPECIFIED)	X.XXX± 0.1	REV:	A0		
	X.XX± 0.2	DRAWN BY	DATE	M12 L CODED CABLE	
	X.X± 0.3	Vinee	19/10/21		
	ANGULAR± 3°	CHECKED BY	DATE		
THIRD ANGLE PROJECTION	APPROVED BY	DATE	PART NO.	DOCUMENT NO.	SIZE
	Ben	19/10/21	M12LF00-X000	C XM-WI-RD002	A4

These drawing and specification are the property of Shenzhen Xime Connector Technology Co., Ltd. And shall not be reproduced copied or used in any manner without the prior written Consent of ours. Company website: www.ximeconn.com