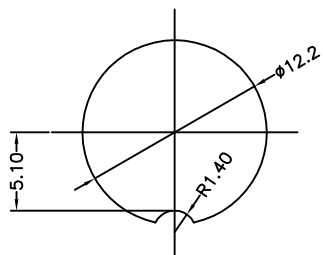
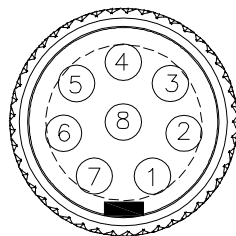


ROHS

REV.	ECR	REVISION RECORD	ECN NO.	DRAW	DATE
A		NEW		VINEE	20/06/17

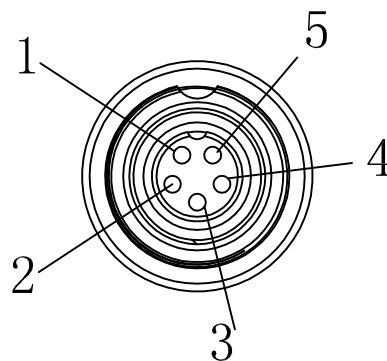


PANEL CUT-OUT



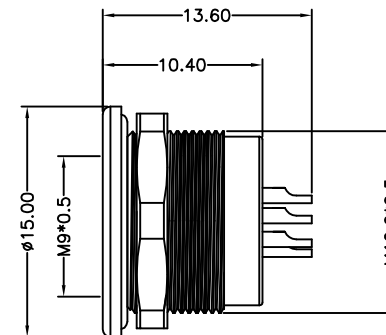
8 pos

M9PANEL08001



5 pos

M9PANEL05001



FEMALE PANEL CONNECTOR

Detailed Product Description:

Waterproof connector rating is IP67
 Protected from dust and water during immersion,
 resistant to many oils and chemical etc
 Connector Electrical character
 Rating voltage: 125V AC/DC ,
 Insulation resistance: >100MΩ
 Rating current : 3A
 Contact resistance ≤3mΩ
 Other Specification
 Contact PIN: Brass with Gold plating.
 Coupling nut/screw: Brass with nickel plating
 Insulation plastic: PA66+GF

*ALL MATERIALS ARE RoHS COMPLIANT.

UNITS:	SCALE:	SHEET NO.	Shenzhen Ximeconn Connector Technology Co., Ltd			
mm	1 : 1	1 of 1				
GENERAL TOLERANCES (UNLESS SPECIFIED)	X.XXX± 0.1	REV:	M9 PANEL CONNECTOR			
	X.XX± 0.2	A0				
	X.X± 0.3	DRAWN BY				DATE
	ANGULAR± 3°	Vinee				18/05/29
		CHECKED BY				DATE
	APPROVED BY	DATE	PART NO.	DOCUMENT NO.	SIZE	
		Ben	19/05/29	M9PANEL0X001	C XM-WI-RD002	A4



These drawing and specification are the property of Shenzhen Xime Connector Technology Co., Ltd. And shall not be reproduced copied or used in any manner without the prior written Consent of ours. Company website: www.ximeconn.com